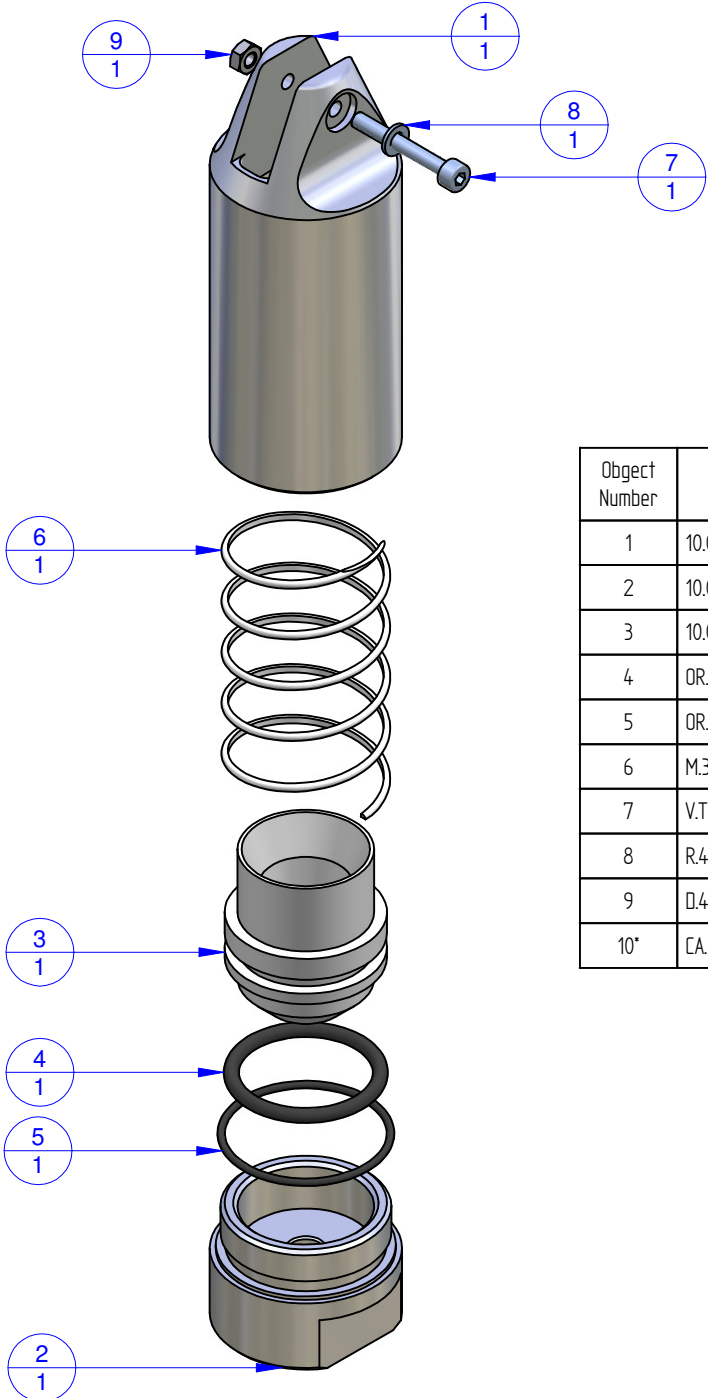


THE PROPERTY OF THIS DRAWING IS ESTABLISHED BY LAW
IT IS FORBIDDEN TO REPRODUCE IT OR SHOW IT TO THIRD PARTY
WITHOUT A WRITTEN AGREEMENT.

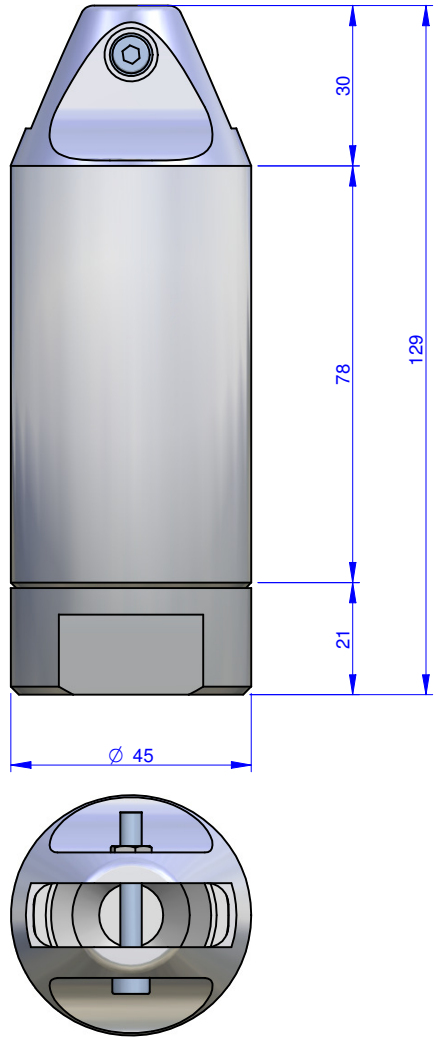
MODIFICATIONS: _____
 (10) _____
 (11) _____
 (12) _____
 (7) _____
 (8) _____
 (9) _____

MODIFICATIONS: _____
 (4) _____
 (5) _____
 (6) _____
 (1) _____
 (2) _____
 (3) _____

Format **A3**
 UNI 936-76



Obgett Number	Name	QTY
1	10.01.006.1	1
2	10.01.006.2	1
3	10.01.006.3	1
4	OR.4125	1
5	OR.2150	1
6	M.37,5X80	1
7	V.TCE M4X30	1
8	R.4	1
9	D.4 AUT	1
10*	CA.08.14.014	1



FP Services		DESIGNED FROM FPSERVICES	
		DATE 03/13	WEIGHT 0,274 kg
GENERAL TOLERANCE: UNI - ISO 2768 CLASSE f		CODE CA.10.01.006	

